

2/2-way lever valve

Product Information



A. u. K. Müller

Solenoid valves
Control valves
Special valves and systems

A. u. K. Müller GmbH & Co. KG
Dresdener Str. 162
D-40595 Düsseldorf/Germany

Tel.: +49(0)211-7391-0
Fax: +49(0)211-7391-281

e-mail: info@akmueller.de
Internet: www.akmueller.de

Series 47.009.302



Characteristics

- Direct acting
- Medium separated
- Minimal dead areas in valve body
- Long term performance capability
- No minimal pressure required
- Suitable for hot water appliances (90 °C)
- Easy to assemble and service
- Low power consumption
- Any fitting position
- High operating safety through the use of high quality materials and 100% final testing of the products

Applications

- Tank or boiler draining
- Medical engineering
- Laboratory / analysis equipment
- Industrial applications

Description

Direct acting 2/2 way solenoid valve with different orifice sizes for control of neutral gases and liquids. The plunger of the magnetic system is protected by spatial separation from the medium. In particular, the low dead space is a further advantage of the lever valves.

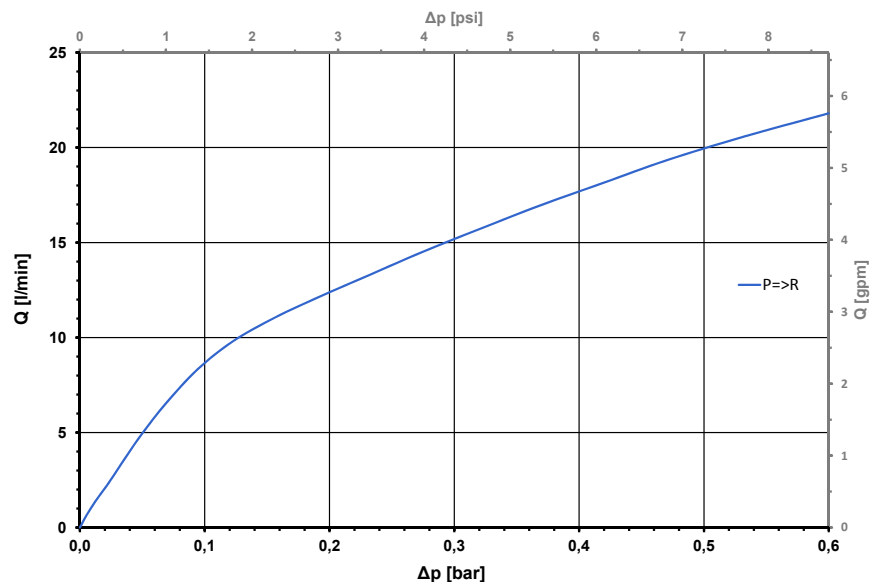
Valves of this design are single chamber valves with threaded connections.

The coil system can be customised for common voltage and frequency ranges on request. Electrical operating safety is achieved by insulation class H and can be supported by an integrated protective circuit.

Due to the use of high quality materials, the valve is applicable for high ambient and medium temperatures up to 90 °C.

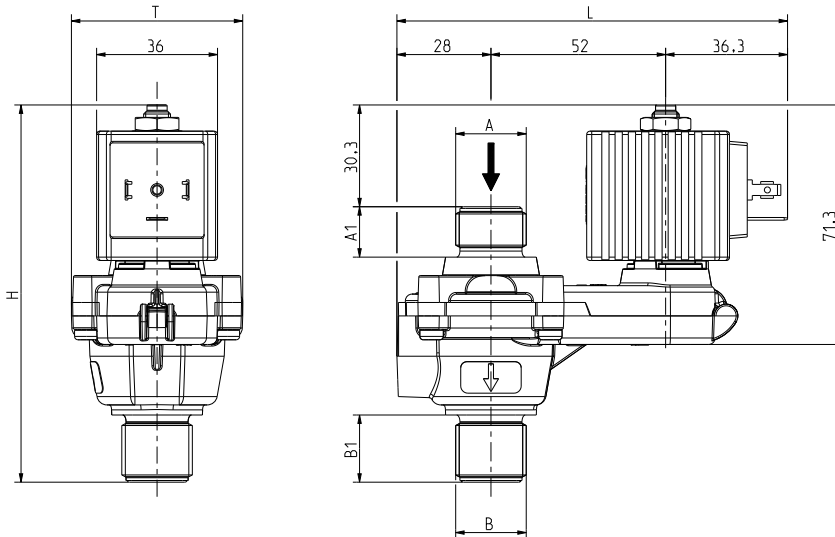
Ideally suited for dosing applications. The good thermal separation between the fluid path and solenoid also allows the use of temperature sensitive media, such as in the medical technology or analytics.

typical performance curve





Series 47.009.302

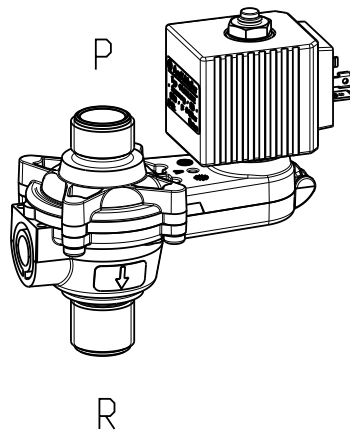


Technical Data

Type	Lever solenoid valve	
Construction	2/2-way single chamber valve, direct acting, media separated	
Function	NC (normally closed)	
Fitting position	Any, preferably with coil upwardly	
Media	Cold and heated water and physically and chemically similar media	
T-Medium	90	°C max.
T-Ambient	60	°C max.
DN	9	mm
p-Operating	0 - 0,6	bar
Coil type	MS.044	
Nominal voltages	24	V DC
	other voltages on request	
Voltage tolerance	+10% -15%	
Duty cycle	100%	
Nominal power	22 W	
Protection Type	IP 00 up to IP 65 according to EN 60529	
Coil connections	plug socket according to EN 175301-803 (IP65)	
Insulation class	H	according to EN 60730
Protection class	I	according to EN 60730 (for incorporation in class I)

Materials

Valve body	PPE
Plunger guide	stainless steel
Plunger and spring	stainless steel
Membrane and sealings	FKM
Coil coating	PA 6
Filter (inlet)	stainless steel (on request)



Options

Material	Inlet		Outlet		Length L	Height H	Depth T
	Ø A	A1	Ø B	B1			
PPE	G 1/2	15	G 1/2	20	116,3	112,3	51